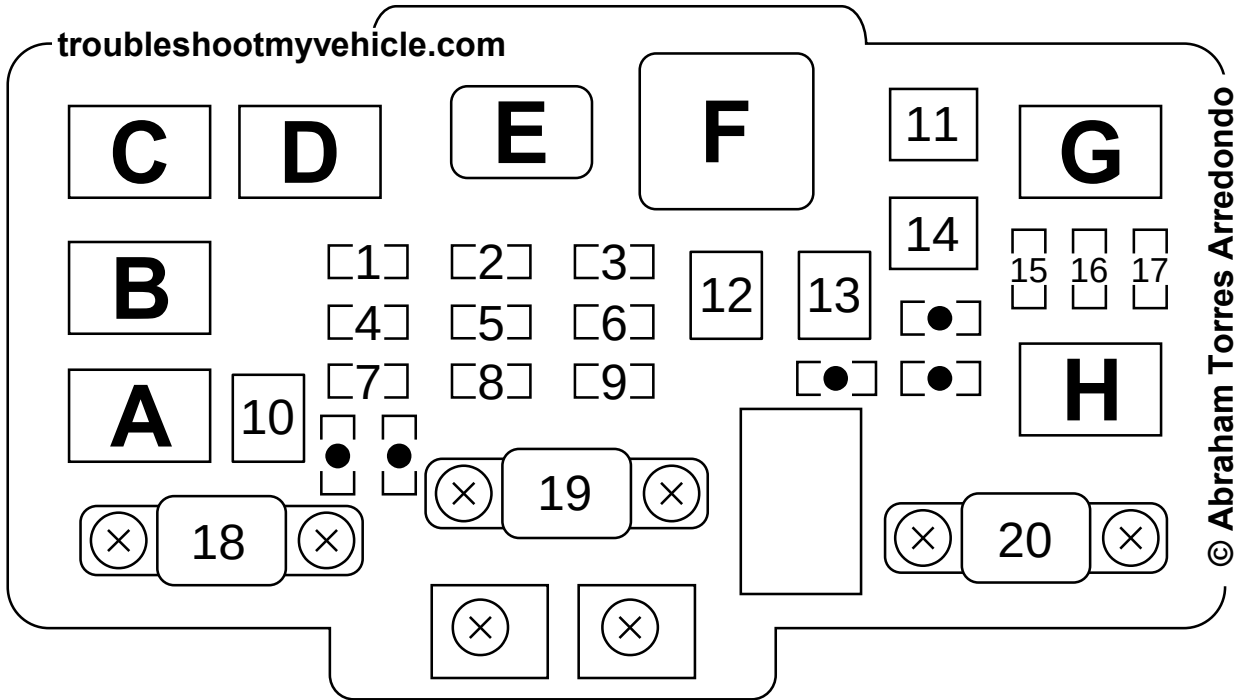


# Under-Hood Fuse/Relay Box (2001-2004 1.7L Honda Civic)

troubleshootmyvehicle.com/honda/1.7L/civic-under-hood-fuse-box



Fuse #	Amps	Fuse Name/Description
1	20 Amps	<ul style="list-style-type: none"> <li>• Condenser Fan.</li> <li>• A/C Compressor Clutch.</li> </ul>
2	15 Amps	<ul style="list-style-type: none"> <li>• Audio Unit.</li> <li>• Dash Lights.</li> <li>• Front Parking Lights.</li> <li>• Front Side Marker Lights.</li> <li>• Heater Control Panel.</li> <li>• Inner Taillights.</li> <li>• License Plate Lights.</li> <li>• Taillights</li> </ul>
3	7.5 Amps	<ul style="list-style-type: none"> <li>• Ceiling Light.</li> <li>• Ignition Key Light.</li> <li>• Spotlights.</li> </ul>

## Under-Hood Fuse/Relay Box (2001-2004 1.7L Honda Civic)

[troubleshootmyvehicle.com/honda/1.7L/civic-under-hood-fuse-box](http://troubleshootmyvehicle.com/honda/1.7L/civic-under-hood-fuse-box)

Fuse #	Amps	Fuse Name/Description
		<ul style="list-style-type: none"> <li>Trunk Light</li> </ul>
4	20 Amps	<ul style="list-style-type: none"> <li>Radiator Fan Motor.</li> </ul>
5	10 Amps	<ul style="list-style-type: none"> <li>Turn Signal/Hazard Relay</li> <li>Turn Signal Lights</li> </ul>
6	15 Amps	<ul style="list-style-type: none"> <li>Crankshaft Position (CKP) Sensor.</li> <li>ECM/PCM (Fuel Injection Computer).</li> <li>Injectors.</li> <li>IAC Valve.</li> <li>Immobilizer Control Unit.</li> <li>PGM-FI Main Relay 1 and 2.</li> <li>Top Dead Center (TDC) Sensor</li> </ul>
7	15 Amps	<ul style="list-style-type: none"> <li>Horn.</li> <li>Brake Lights.</li> <li>Brake Signals.</li> </ul>
8	20 Amps	<ul style="list-style-type: none"> <li>ABS Modulator Unit</li> </ul>
9	10 Amps	<ul style="list-style-type: none"> <li>Audio Unit.</li> <li>Data Link Connector.</li> <li>Gauge Assembly.</li> <li>Immobilizer Control Unit/Receiver.</li> <li>Immobilizer Indicator Light.</li> <li>Keyless Receiver Unit.</li> <li>Multiplex Control Unit.</li> <li>Security Control Unit.</li> <li>Audio Unit</li> </ul>
10	40 Amps	<ul style="list-style-type: none"> <li>ABS Modulator-Control Unit</li> </ul>
11	40 Amps	<ul style="list-style-type: none"> <li>Rear Window Defogger (via antenna module)</li> </ul>
12	40 Amps	<ul style="list-style-type: none"> <li>Blower Motor</li> </ul>
13	40 Amps	<ul style="list-style-type: none"> <li>No. 7 Fuse (Under-Dash Fuse Box).</li> <li>Power Window Relay</li> </ul>
14	40 Amps	<ul style="list-style-type: none"> <li>No. 3 and 16 Fuses (Under-Dash Fuse Box)</li> </ul>
15	15 Amps	<p><b>NOTE: 2001-2003 models:</b></p> <ul style="list-style-type: none"> <li>Daytime Running Lights Control Unit (Canada).</li> <li>High Beam Indicator Light.</li> </ul>

## Under-Hood Fuse/Relay Box (2001-2004 1.7L Honda Civic)

[troubleshootmyvehicle.com/honda/1.7L/civic-under-hood-fuse-box](http://troubleshootmyvehicle.com/honda/1.7L/civic-under-hood-fuse-box)

Fuse #	Amps	Fuse Name/Description
		<ul style="list-style-type: none"> <li>Left Headlight.</li> </ul>
15	20 Amps	<b>NOTE: 2004 models:</b> <ul style="list-style-type: none"> <li>Daytime Running Lights Control Unit (Canada).</li> <li>High Beam Indicator Light.</li> <li>Left Headlight</li> </ul>
16	20 Amps	<ul style="list-style-type: none"> <li>Multiplex Control Unit</li> </ul>
17	15 Amps	<b>NOTE: 2001-2003 models:</b> <ul style="list-style-type: none"> <li>Daytime Running Lights Control Unit (Canada).</li> <li>Right Headlight</li> </ul>
17	20 Amps	<b>NOTE: 2004 models:</b> <ul style="list-style-type: none"> <li>Daytime Running Lights Control Unit (Canada).</li> <li>High Beam Indicator Light.</li> <li>Left Headlight</li> </ul>
18	-	<b>NOT USED</b>
19	80 Amps	<ul style="list-style-type: none"> <li>Battery.</li> <li>Power Distribution.</li> </ul>
20	40 Amps	<ul style="list-style-type: none"> <li>Ignition Switch (BAT)</li> </ul>

Letter	Relay Name
A	Condenser Fan Motor Relay
B	Horn Relay
C	Radiator Fan Motor Relay
D	A/C Compressor Relay
E	Rear Window Defogger Relay
F	Blower Motor Relay
G	Empty
H	Headlight Relay